



Installation Guide

**SolarEdge Home Backup
Interface for the SolarEdge
Home Hub Inverter**

With Service Entry

North America

Version 1.2

Disclaimers

Important Notice

Copyright © SolarEdge Inc. All rights reserved.

No part of this document may be reproduced, stored in a retrieval system, or transmitted, in any form or by any means, electronic, mechanical, photographic, magnetic or otherwise, without the prior written permission of SolarEdge Inc.

The material furnished in this document is believed to be accurate and reliable. However, SolarEdge assumes no responsibility for the use of this material. SolarEdge reserves the right to make changes to the material at any time and without notice. You may refer to the SolarEdge website (<https://www.solaredge.com/us/>) for the most updated version.

All company and brand products and service names are trademarks or registered trademarks of their respective holders.

Patent marking notice: see <https://www.solaredge.com/us/patent>

The general terms and conditions of delivery of SolarEdge shall apply.

The content of these documents is continually reviewed and amended, where necessary. However, discrepancies cannot be excluded. No guarantee is made for the completeness of these documents.

The images contained in this document are for illustrative purposes only and may vary depending on product models.

This manual describes the installation of the SolarEdge Home Backup Interface for the SolarEdge Home Hub Inverter. Read this manual before you attempt to install the product, and follow the instructions throughout the installation process. If you are uncertain about any of the requirements, recommendations, or safety procedures described in this manual, contact SolarEdge Support immediately for advice and clarification. The information included in this manual is accurate at the time of publication. However, the product specifications are subject to change without prior notice. In addition, the illustrations in this manual are meant to help explain system configuration concepts and installation instructions. The illustrated items may differ from the actual items at the installation location.

FCC Compliance

This equipment has been tested and found to comply with the limits for a Class A digital device, pursuant to part 15 of the FCC Rules.

These limits are designed to provide reasonable protection against harmful interference. This equipment generates, uses and can radiate radio frequency energy and, if not installed and used in accordance with the instructions, may cause harmful interference to radio communications. However, there is no guarantee that interference will not occur in a particular installation. If this equipment does cause harmful interference to radio or television reception, which can be determined by turning the equipment off and on, you are encouraged to try to correct the interference by one or more of the following measures:

- Increase the separation between the equipment and the receiver.
- Reorient or relocate the receiving antenna.
- Connect the equipment into an outlet on a circuit different from that to which the receiver is connected.
- Consult the dealer or an experienced radio/TV technician for help.

Changes or modifications not expressly approved by the party responsible for compliance may void the user's authority to operate the equipment.

Contents

Disclaimers	1
Important Notice	1
FCC Compliance	1
Revision History	4
HANDLING AND SAFETY INSTRUCTIONS	5
Safety Symbols Information	5
Chapter 1: Overview	6
SolarEdge Home Battery Solution Components	6
Chapter 2: Installing and Connecting the SolarEdge Home Backup Interface	8
Package Contents	8
List of Installation Equipment	9
Mounting the Backup Interface	10
Backup Interface - External Interfaces	13
Connecting the SolarEdge Home Backup Interface to the Grid and AC Loads Panel	14
Connecting the Backup Interface to the Inverter	16
Connecting the Backup Interface to an Alternative Power Source	18
Connecting the Backup Interface to an External Rapid Shutdown Switch (Optional)	18
Chapter 3: System Configuration	20
Appendix A: Troubleshooting	21
Appendix B: Manually Switching the System to the Grid-Connected Mode	22
Appendix C: Connecting External CTs	23
Appendix D: System Performance LED Indication	25
Support Contact Information	26

Revision History

Version 1.2 (June 2023)

- Technical specifications have been removed. The specifications appear in the product datasheet.
- Product name changes:
 - The Backup Interface is now known as the *SolarEdge Home Backup Interface*.
 - The Energy Hub is now known as the *SolarEdge Home Hub Inverter*.

Version 1.1 (September 2020)

- Added the requirement for a soft start device installation, in case of high-consumption loads in *Connecting the SolarEdge Home Backup Interface to the Grid and AC Loads Panel* on page 14.
- Updated the torque values.
- Updated the configuration flow in *System Configuration* on page 20.
- Changed the recommended communication cable type to CAT6.

Version 1.0 (April 2020) - First Issue

HANDLING AND SAFETY INSTRUCTIONS

Safety Symbols Information

The following safety symbols are used in this document. Familiarize yourself with the symbols and their meaning before installing or operating the system.

WARNING!



Denotes a hazard. It calls attention to a procedure that, if not correctly performed or adhered to, could result in **injury or loss of life**. Do not proceed beyond a warning note until the indicated conditions are fully understood and met.

AVERTISSEMENT!

Dénote un risque: il attire l'attention sur une opération qui, si elle n'est pas faite ou suivi correctement, pourrait causer des blessures ou un danger de mort. Ne pas dépasser une telle note avant que les conditions requises soient totalement comprises et accomplies.

CAUTION!



Denotes a hazard. It calls attention to a procedure that, if not correctly performed or adhered to, could result in **damage or destruction of the product**. Do not proceed beyond a caution sign until the indicated conditions are fully understood and met.

ATTENTION!

Dénote un risque: il attire l'attention sur une opération qui, si elle n'est pas faite ou suivi correctement, pourrait causer un dommage ou destruction de l'équipement. Ne pas dépasser une telle note avant que les conditions requises soient totalement comprises et accomplies.

NOTE



Denotes additional information about the current subject.

IMPORTANT SAFETY FEATURE



Denotes information about safety issues.

Chapter 1: Overview

The SolarEdge Home Backup Interface is a key component in SolarEdge's Flexible Backup solution, automatically managing the connection of house loads with the grid in the event of grid instability. During a grid interruption, homeowners are automatically provided with the backup power needed to support whole home loads or selected loads.

NOTE



The SolarEdge Home Backup Interface is an *optional* accessory that is required to support the backup capabilities of a battery enabled system in the event of a grid outage.

SolarEdge Home Battery Solution Components

- **SolarEdge Home Hub Inverter** - A DC-optimized PV inverter that also manages the battery and system energy. The **Inverter Connection Unit**, located at the bottom of the inverter, allows simple installation and connectivity to other system components, and includes a DC Safety Switch.
- **One or multiple batteries (optional)** - DC-coupled batteries designed to work with the SolarEdge system. While the batteries are an optional addition to the system, they are required in order to provide backup power in the event of a grid outage.
- **SolarEdge Home Backup Interface (optional)** - controls disconnection of house loads from the grid. It must be installed in order to allow the operation of the batteries and inverter during backup operation. It can also be deployed as an auto-transfer switch connection for a power generator tie-in.

The SolarEdge Home Backup Interface is *not* required for non-backup, grid-tied battery solutions.

The SolarEdge Home Backup Interface integrates the following components to enable grid-tied solar backup and Smart Energy Management.

- **Energy Meter** - used by the inverter for export, import, production and consumption readings, and for Smart Energy Management applications, such as: export limitation, time-of-use profile programming and maximizing self-consumption.
- **Auto-transformer** - handles the phase load balancing.
- **Microgrid interconnection device** - disconnects the house loads from the grid in case of a power outage.

- **Circuit breaker** - enables AC power disconnection, and protects electrical circuits from damage caused by overcurrent.
- **Backup generator connection point** - supports integration of a backup generator into the system.
- **Built-in Inverter AC combiner** - supports up to three SolarEdge inverters.

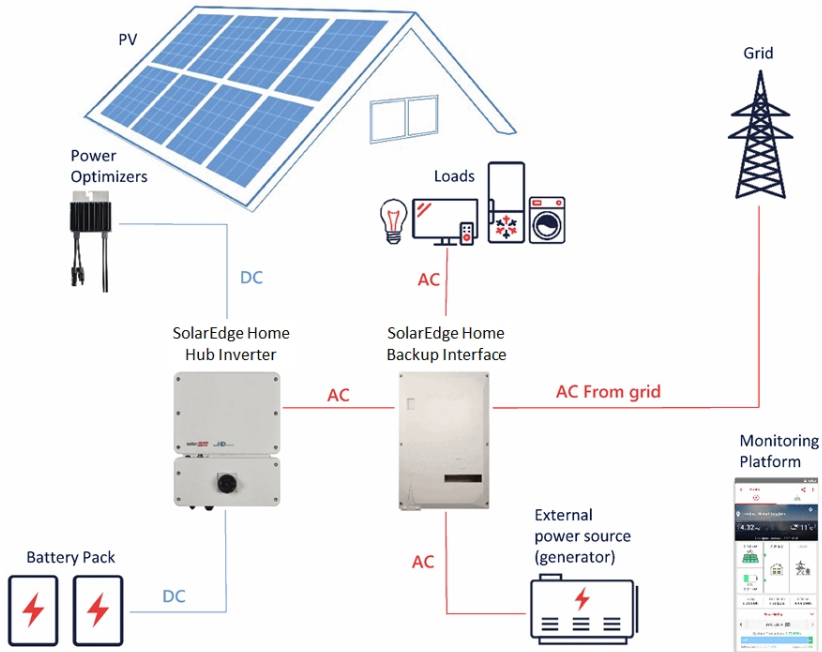


Figure 1: SolarEdge Home Hub system components

NOTE



PV modules connected to power optimizers are not mandatory for charge/discharge profile programming.

Chapter 2: Installing and Connecting the SolarEdge Home Backup Interface

This chapter explains how to install the SolarEdge Home Backup Interface (hereafter referred to as "Backup Interface") and connect it to the inverter, AC loads panel and grid.

Package Contents

- Backup Interface
- Mounting bracket
- Accessories package that contains:
 - Bonding jumper for connecting the neutral and grounding bar
 - Two mounting bracket screws
- Allen key (affixed to the bottom of the Backup Interface)

List of Installation Equipment

The following standard tools are recommended for use when installing the SolarEdge Home Backup Interface system:

- Allen torque screwdriver for the 4mm inverter enclosure screws
- Standard torque flat-head screwdrivers set
- Torque wrench with variable settings
- Non-contact voltage detector
- Cordless drill (clutch) or screwdriver and bits suitable for the surface on which the inverter and optimizers will be installed.

CAUTION!



Use of an impact drill/hammer causes high intensity vibration and may damage electronics when applied directly to electrical equipment. Damage caused by excessive vibrations due to use of impact drill/hammer will void the product warranty.

- Wire cutters (for wires of up to 4/0 AWG)
- Wire strippers (for wires of up to 4/0 AWG)
- Voltmeter
- Mobile phone with latest version of SetApp
- Mounting hardware (stainless bolts, nuts, and washers) for:
 - Affixing the mounting brackets to the mounting surface
 - Attaching Power Optimizers (if required) to the rack.

For installing the communication options, you may also need the following:

- For RS485 / CAN Bus:
 - Four- or six-wire shielded twisted pair cable
 - Watchmaker precision screwdriver set

Mounting the Backup Interface

Before you begin

The conduit entries are closed with drill guides. Drill the conduit entries open before mounting the Backup Interface.

CAUTION!

HEAVY OBJECT. To avoid muscle strain or back injury, use proper lifting techniques, and if required - a lifting aid.



ATTENTION!

Objet lourd. Pour éviter la fatigue musculaire ou des blessures au dos, utilisez des techniques de levage appropriées et, si nécessaire - un auxiliaire de levage lors du retrait.

NOTE



Make sure the mounting surface or structure can support the weight of the Backup Interface and bracket, and make sure that it spans the width of the bracket.

NOTE

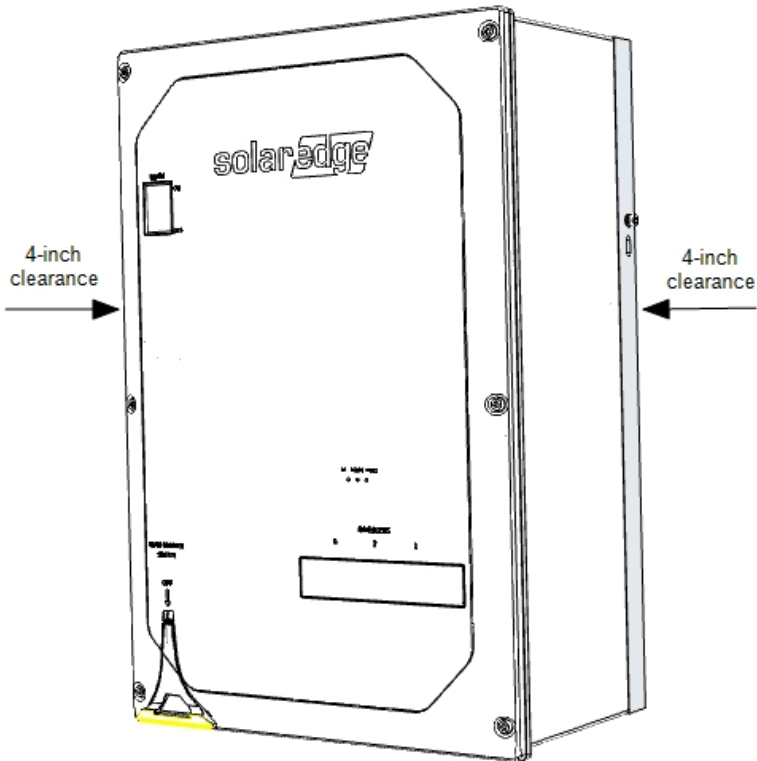


If installing the Backup Interface in the line-side of the main service panel, maintain a distance of not more than 25 feet from the main service panel.

► To mount the Backup Interface:

1. Determine the Backup Interface mounting location, on a wall, stud framing or pole. It is recommended to mount the Backup Interface in a location protected from direct sunlight.

- To allow proper heat dissipation, maintain at least a 4" clearance between the Backup Interface and other objects.



- Position the mounting bracket against the wall/pole and mark the drilling hole locations.
- Drill the holes and mount the bracket. Verify that the bracket is firmly attached to the mounting surface.

5. Hang the Backup Interface on the bracket.

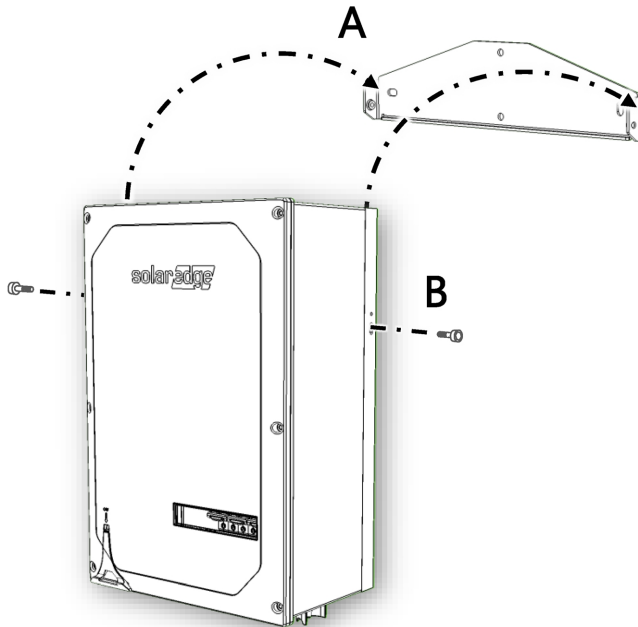


Figure 2: Mounting the Backup Interface

6. Insert the two supplied screws through the outer heat sink fin on both sides of the Backup Interface and into the bracket. Tighten the screws of 35 in*lbs / 4.0 N*m.

Backup Interface - External Interfaces

The following figure shows the Backup Interface's external interfaces used for system operation and connectivity with other solution components.

When wiring the system, use cable conduits, as required by local regulations.

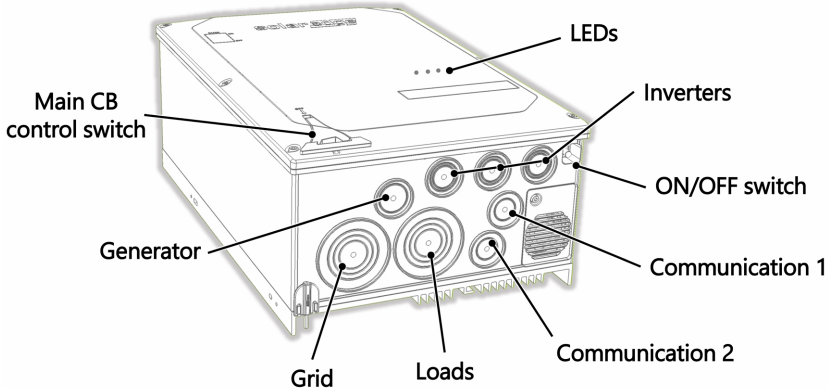


Figure 3: Backup Interface Interfaces

- **Inverter AC inputs** - AC cables from up to three inverters.
- **Generator AC input** - an AC cable from one external generator.
- **Grid AC input** - an AC cable from the grid.
- **Loads AC output** - an AC cable to the loads panel.
- **Communication input** - Communication cables from inverters and external rapid shutdown switch.
- **ON/OFF switch** - When ON, enables automatic transition to backup mode. When OFF, enables manual control of the Backup Interface.
- **LEDs** - Three LEDs (AC, Comm, Fault) indicate system performance. For more information, see *System Performance LED Indication* on page 25.
- **Main circuit breaker control switch** - Toggles the main circuit breaker. Pulling the lever down switches off the main circuit breaker.

Connecting the SolarEdge Home Backup Interface to the Grid and AC Loads Panel

To connect the SolarEdge Home Backup Interface to the grid and loads panel, use the following cable types:

- For the grid - 4-4/0 AWG
- For the loads panel - 4-4/0 AWG

NOTE



Backing up high-consumption loads, such as whole home air conditioners and well pumps, may require installation of a soft start device (not supplied by SolarEdge) on the AC supply of these loads.

► To connect to the Grid and Loads panels

1. Unscrew the six Allen screws of the Backup Interface cover and remove the cover.



NOTE

Do not remove the internal plastic cover (dead front).

2. Install a conduit of the required diameter into the Loads conduit entry.
3. Install a conduit of the required diameter into the Grid conduit entry.
4. Remove the plastic covers from Loads terminals.
5. If required, connect the grounding and neutral bars with the bonding jumper, supplied with the Backup Interface. Tighten the bonding screws using a torque of 41.6 in*lbs / 4 N*m.
6. Pass the cable from the AC Loads panel through the Loads conduit.
7. Pass the cable from the grid through the Grid conduit.
8. Connect the neutral and grounding wires to the neutral and grounding terminals. Tighten the terminal screws using a torque of 200 in*lbs / 22.5 N*m.
9. Connect Line 1 and Line 2 wires from the AC loads panel to the loads line terminal. Tighten the terminal screws using a torque of 200 in*lbs / 22.5 N*m.

NOTE



Many regulators require that unprotected feeder cables connected to the meter must be routed through a different conduit/raceway than cables connected to the AC backup panel.

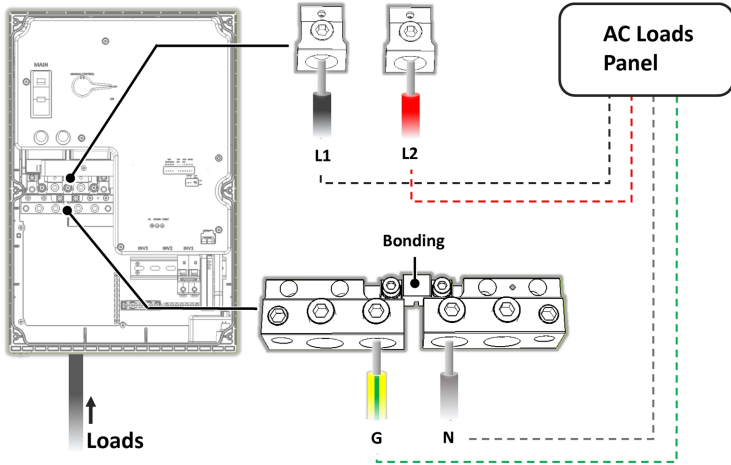


Figure 4: Connection to the AC Loads Panel

10. Connect the Line 1 and Line 2 wires to the grid's line terminal. Tighten the terminal screws using a torque of 200 in*lbs / 22.5 N*m.

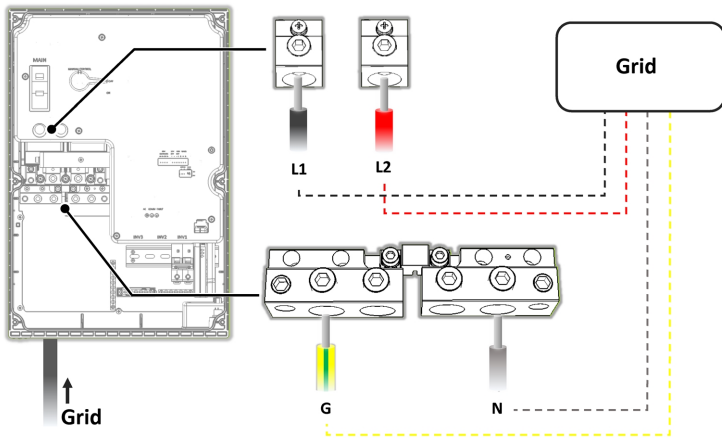


Figure 5: Connection to the Grid

11. Reinstall the plastic covers onto the loads terminals.

Connecting the Backup Interface to the Inverter

When connecting the Backup Interface to the inverter, use the following cable types:

- **Communication** - 5-wire shielded twisted pair cable, 24 AWG (16-24 AWG), 600V insulated or CAT6
- **12V power** - 16 AWG cable
- **AC power** - 6 AWG (4-20 AWG), 600V insulated cable

NOTE



If an auto-transformer is connected to the inverter, make sure to disconnect it before connecting the Backup Interface.

► **To connect to the communication cable and 12V cable**

1. Install a conduit of the required diameter into the Com 1 conduit entry.
2. Connect the cables **to the Connection Unit of the inverter**:
 - a. Open Communication 1 gland.
 - b. Pass the cables through the gland.
 - c. Remove the 7-pin connector from the slot labeled Backup Interface on the communication board.
 - d. Connect the cable wires to the 7-pin connector, as shown below, and reconnect the connector to the slot:

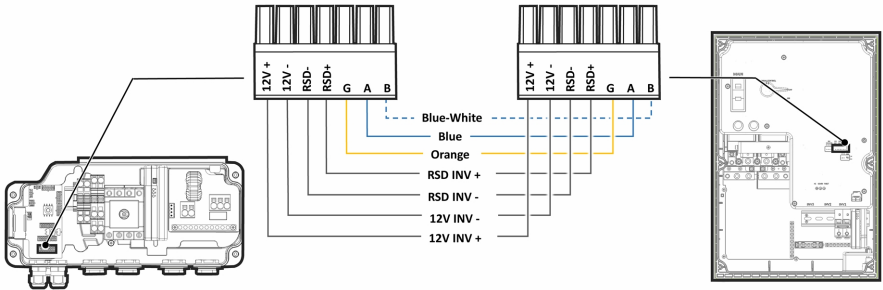


Figure 6: Communication and 12V cables connection between Backup Interface and Inverter

3. Connect the cables to the Backup Interface:
 - a. Pass the cables through the Com 1 conduit.
 - b. Remove the 7-pin connector from the Backup Interface's communication slot.
 - c. Connect the communication cable to the 7-pin connector, as shown above. If there is a short circuit jumper between the RSD terminals of the inverter, remove it before connecting the RSD terminals to the Backup Interface.

- d. Reconnect the 7-pin connector to the communication slot.
- e. Move up (ON) the communication DIP switch.

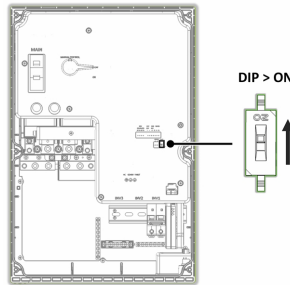


Figure 7: Communication DIP switch setup (Default position = ON)

► **To connect to the AC cable**

- 1. Connect one end of the AC cable to the AC terminal block in the inverter's Connection Unit, as explained in the inverter's installation guide.
- 2. Install a conduit of the required diameter into the Backup Interface's Inv1 conduit entry.
- 3. Pass the other end of the AC cable through the Inv1 conduit.

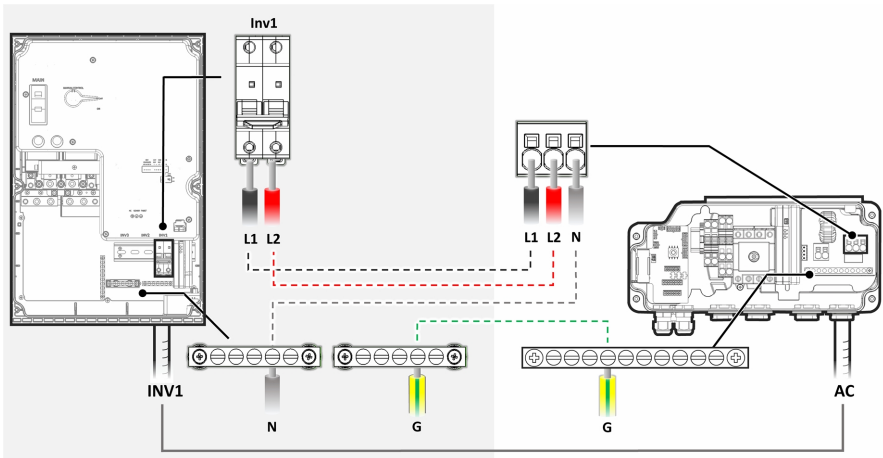


Figure 8: AC connection between the Backup Interface and Inverter

- 4. Connect the L1 and L2 wires of the AC cable to the Inv1 terminal block, as shown above. Apply a torque of 17.7 in*lbs / 2 N*m.

NOTE

The Backup Interface is supplied with a 40 amp circuit breaker. The installer is required to upgrade the circuit breaker in accordance with the inverter rating. Please refer to inverter datasheet for further details.



The CB upgrade kit is available with the following part numbers:

- 40A CB: CB-UPG-40-01
- 63A CB: CB-UPG-63-01
- 20A, 30A, and 50A circuit breakers can be used for inverters with lower power ratings.

5. Connect the Neutral wire to the Neutral bar.
6. Connect the Grounding wire to the Grounding bar.

Connecting the Backup Interface to an Alternative Power Source

When connecting the Backup Interface to an alternative power sources, such as a power generator, refer to the [Application Note - SolarEdge Inverter - Alternative Power Source](#).

Connecting the Backup Interface to an External Rapid Shutdown Switch (Optional)

When regulations require, an external shutdown switch must be installed. The switch (not supplied by SolarEdge) shuts down the Backup Interface in case of emergency.

► To connect to an External Rapid Shutdown Switch

1. Pass the cable form the switch through the Com 2 conduit.

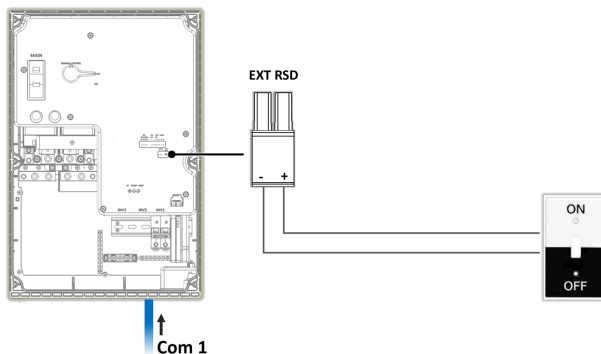


Figure 9: External rapid shutdown switch connection

2. Remove the 2-pin connector labeled EXT RSD.
3. Remove the short circuit jumper from the 2-pin connector.
4. Connect the cable to the 2-pin connector, as shown above.
5. Insert the 2-pin connector back into the EXT RSD port.
6. Reinstall the Backup Interface cover and tighten it with the screws. Apply a torque of 36.6 in*lbs / 3 N*m.

Chapter 3: System Configuration

This chapter explains how to configure your Backup Interface using the SetApp mobile application.

In order to optimize performance, make sure the inverter firmware version is 4.18xx or higher. For information on updating your inverter firmware, refer to the inverter's Installation Guide.

► **To enable Backup Configuration using SetApp:**

1. Select **Commissioning > Power Control > Energy Manager > Backup Configuration > Backup > Enable**.

After the Backup Configuration is enabled, the Backup Interface is automatically configured.

Appendix A: Troubleshooting

Error Code	Error Message	Troubleshooting
26x4	Backup Interface state inconsistent	Manually switch the Backup Interface to on-grid (see <i>Manually Switching the System to the Grid-Connected Mode</i> on page 22.)
26x5	Backup Interface state inconsistent	Manually switch the Backup Interface to on-grid (see <i>Manually Switching the System to the Grid-Connected Mode</i> on page 22.)
26x6	Backup Interface state inconsistent	Manually switch the Backup Interface to on-grid (see <i>Manually Switching the System to the Grid-Connected Mode</i> on page 22.)
26x7	Backup Interface thresholds error	Verify correct country configuration.
26xF	Inverter doesn't lower AC voltage	Turn off and then back on the inverter AC and DC switch.
26x11	Backup Interface low temperature	Make sure the ambient temperature is higher than -40 °F (-40 °C).
26x12	Backup Interface high temperature	Make sure ambient temperature is lower than 122 °F (50 °C).
26x14	Phase imbalance too high	Balance the loads on different phases.
3xBD	Backup Interface comm error	Verify that the communication cable between the Backup Interface and inverter is connected correctly (see <i>Connecting the Backup Interface to the Inverter</i> on page 16).

Appendix B: Manually Switching the System to the Grid-Connected Mode

In case of a Backup Interface failure or when maintenance of the Backup Interface is necessary, you can reconnect the system to AC power from the grid.

NOTE
When the system is manually switched to the grid-connected mode, no backup functionality is available.

► **To switch to the grid-connected mode:**

1. Switch the ON/OFF switch of the Backup Interface to OFF.
2. Switch the inverter ON/OFF/P switch to OFF.
3. Release the six Allen screws and remove the Backup Interface cover. You can use the Allen key found at the bottom left side of the Backup Interface.
4. Make sure the Manual Control switch is in the OFF position.

NOTE
When the Backup Interface ON/OFF switch is in the ON position, it overrides the Manual Control switch setting.

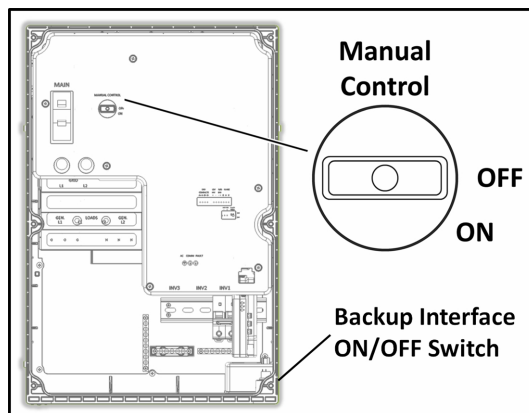


Figure 10: Manual Control switch

5. Reinstall the Backup Interface cover and tighten it with the screws. Apply a torque of 36.6 in*lbs / 3 N*m.
6. To start production, switch the inverter ON/OFF/P switch to ON.

Appendix C: Connecting External CTs

If the Backup Interface does not disconnect all house loads in case of an outage, external Export/Import current transformers (CTs) must be connected to the Energy Meter inside the Backup Interface.

Required Equipment

- Two split core or flexible coil CTs (available from SolarEdge). For flexible coil CTs, the power supply must be purchased separately.
- Extension cable - a CAT6 shielded cable

▶ To connect external CTs:

1. Switch the ON/OFF switch of the Backup Interface to OFF.
2. Switch the inverter ON/OFF/P switch to OFF.
3. Attach the CTs to L1 and L2 wires at the service entrance point in the main service panel. The arrow on the CTs must point to the current source.

NOTE



For CT installation guidance, see the YouTube video, *Installing and Extending Flexible and Solid Core CTs*:
<https://www.youtube.com/watch?v=hwiafEt6IC4>

4. Crimp the twisted wire pair of each CT to a twisted pair of the extension cable.

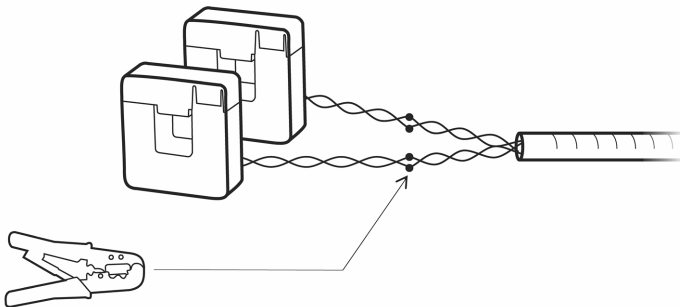


Figure 11: Connecting external CTs to extension cable

5. Release the six Allen screws and remove the Backup Interface cover.
6. Pass the extension cable through the AC conduit into the Backup Interface.
7. Remove the L1 CT and L2 CT connectors from the Energy Meter.

8. Disconnect the internal CT wires from the connectors.

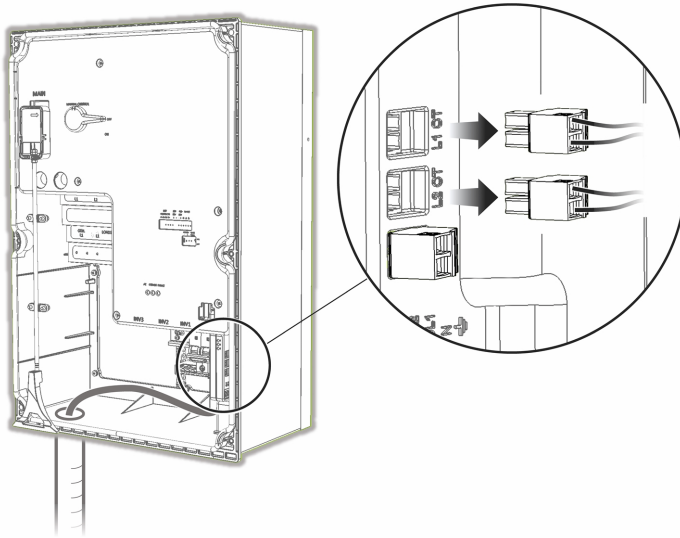


Figure 12: Disconnecting internal CTs

9. Connect the external CTs twisted pairs from the extension cable to the connectors (L1 to L1; L2 to L2).
10. Reinstall the Backup Interface cover and tighten it with the screws. Apply a torque of 36.6 in*lbs / 3 N*m.
11. Switch the inverter ON/OFF/P switch to ON.

Appendix D: System Performance LED Indication

The three LEDs, visible both on the Backup Interface outer cover and inner cover, indicate the following system states:

LED Color	On	Blinking	Off
Green - Operational state	Backup mode	On grid	---
Blue - Communication state	Communication with the inverter	---	No communication with the inverter
Red - Error state	Error has occurred	---	No errors

Note the following special LED states:

LED Status	System State
All LEDs are ON	Backup Interface is in initialization state
All LEDs are blinking	Backup Interface software is being updated
All LEDs are OFF	Backup interface is powered down

Support Contact Information

If you have technical problems concerning SolarEdge products, please contact us:



<https://www.solaredge.com/us/service/support>

Before contact, make sure to have the following information at hand:

- Model and serial number of the product in question.
- The error indicated on the SetApp mobile application, on the monitoring platform, or by the LEDs, if there is such an indication.
- System configuration information, including the type and number of modules connected and the number and length of strings.
- The communication method to the SolarEdge server, if the site is connected.
- The product's software version as it appears in the status screen.

solaredge