

Three Phase Inverter with Synergy Technology Installation Guide - Erratum

This erratum should be used with the Three Phase Inverter with synergy technology Installation Guides:

- For Australia, Version 1.0 (P/N MAN-01-00495-1.0)
- For Europe, APAC & South Africa, Version 1.1 (P/N MAN-01-00402-1.1)
- For North America, Version 1.1 (P/N MAN-01-00401-1.1)

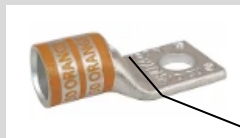
This erratum updates the lugs requirements note (for North America and Australia only) in the 'Connecting the AC Grid and Grounding to the Connection Unit' section and the 'Mounting and Connecting the Primary and Secondary Unit(s)' section.

Lugs Requirements



Caution:

Only use compression lugs of the one -hole standard barrel 600v type (it is recommended to use narrow tongue lugs). Do not use mechanical lugs (chair lugs) as they may pose a safety risk.



maximum width 0.9"

Standard barrel 600v (narrow tongue recommended) lug



Chair lug

Mounting and Connecting the Primary and Secondary Unit(s)

- 1 Position the mounting brackets against the wall and mark the required drilling holes locations. The distance between neighboring holes from different brackets should be 9 cm / 3-5/8" (see Figure 1) to ensure a distance of 3 cm / 1-1/4" between inverter units.

NOTE



Make sure to maintain the required distance between brackets and units, otherwise the cables connecting the Secondary Unit(s) to the Connection Unit may not reach the connectors.

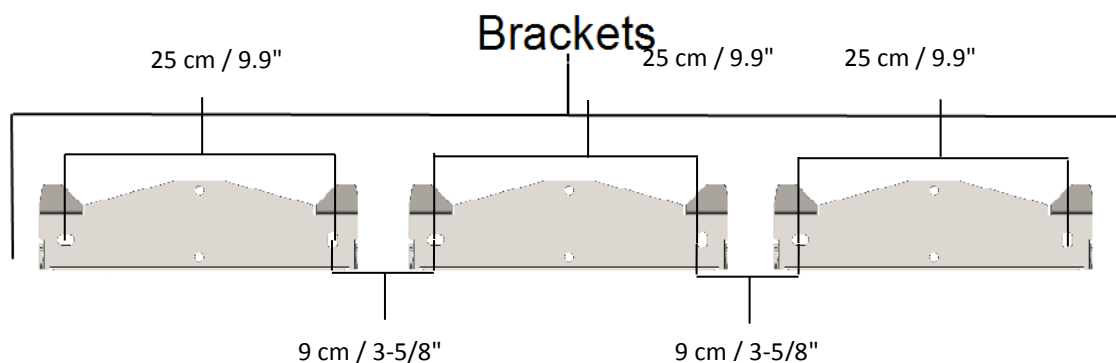


Figure 1: Brackets Placing

- 2 Drill two holes for each bracket.
- 3 Mount the Primary Unit bracket and put in the screws.
- 4 Tighten the Primary Unit screws all the way and verify that the bracket is firmly attached to the mounting surface.
- 5 Mount the Primary Unit:
 - a. Lift the Primary Unit from its sides.
 - b. Align the two indentations in the enclosure with the two triangular mounting tabs of the bracket, and lower the unit until it rests on the bracket evenly (see Figure 2).
 - c. Insert the supplied screw through the right side of the heat sink and into the bracket.

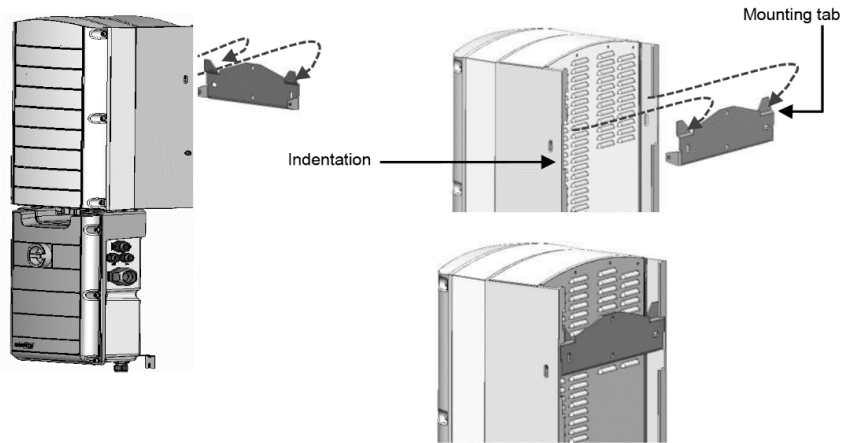


Figure 2: Hanging Units

- 6** Tighten the bracket screws all the way and verify that the bracket is firmly attached to the mounting surface.
- 7** Mount the Secondary Unit(s):
 - a. There is no specific order for hanging the Secondary Units.
 - b. When installing a 2 unit inverter, mount the Secondary Unit to the left of the Primary Unit.
 - c. Lift the Secondary Unit(s) from the sides, or hold it at the top and bottom of the unit to lift into place.
 - d. Align the two indentations in the enclosure with the two triangular mounting tabs of the bracket, and lower the unit until it rests on the bracket evenly (see Figure 2).
 - e. Insert one of the supplied screws through the outer side of the heat sink and into the bracket. Tighten the screws with a torque of $4.0\text{N}\cdot\text{m}$ / $2.9\text{ lb}\cdot\text{ft}$.