



Site Power Controller

Enabling Advanced Grid Feed-in Management

The SolarEdge Site Power Controller (SPC) ensures commercial PV systems benefit from controlled grid injection at varying voltage levels, and is compliant with different regional, national and international grid codes.

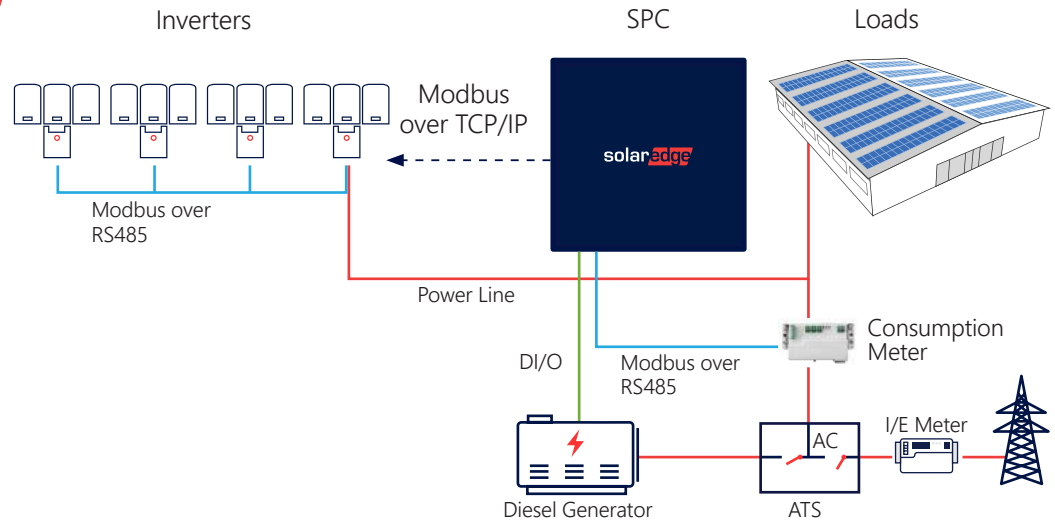
Fully optimized with the SolarEdge ecosystem, the SPC minimizes costs and complexity associated with third-party integrations and enables fast time to market.

- / Multi-site power management
- / Easy installation
- / Quick setup with ready-to-use features
- / Adaptable to varying site requirements
- / Full system offering, warranty, and service from SolarEdge

Functional Range

- / Closed loop control for automatic voltage regulation and active/reactive power
- / Power curtailment and ramp rate control
- / Data logging of control commands, access, status & settings changes
- / Feedback of plant status to utility grid control network
- / Alerts for quick faults identification
- / Self-management and recovery
- / HMI web interface
- / Protocols: Modbus RTU, Modbus TCP, IEC 60870, DNP3, Direct Marketing
- / I/O: RS485, Digital, Analog, Ethernet, SFP, Cellular

A Single Access Point Ensuring Reliable Grid Integration of Commercial and Large Scale PV Installations



SE2000-PFSV-MSDC-4BPC

Product Specifications		Unit
Mechanical Specifications		
Dimensions (H x W x D)	170 x 165 x 61 / 6.7 x 6.5 x 2.4	mm/in
Wiring on Screw Connectors	I/O cables, max. 14 AWG	
Assembly	DIN rail, wall support	
Weight	< 200	g
Networking and Protocols		
LAN	100Mbps Ethernet port, RJ45 connectors	
Wi-Fi	802.11 b/g/n Wi-Fi interface	
Cellular	3G cellular module 4G/LTE cellular module (EU/US bands) On-board micro-SIM card socket	
Communication Protocols	Modbus RTU, Modbus TCP, IEC 60870, DNP3, Direct Marketing	
Inputs and Outputs (I/O) Interfaces		
USB	2 x USB 2.0 host, type A connectors	
Serial	1 x RS232 port, ultra-mini serial connector	
RS485	2 x RS485 ports, half duplex 2 wire, RJ11 connector	
Digital I/O	8 x DIO, 5V tolerant, 100 – mil header	
Analog I/O	4 x AIO channels + 0-10V SE input 4 x AIO channels + 4-20mA SE input	
Environmental Limits		
Operation Temperature	-10 to 75 / 14 to 167	° C / ° F
Storage Temperature	-40 to 85 ° / -40 to 185 °	° C / ° F
Relative Humidity	5 to 95	%
Altitude	Up to 2000 / 6561.68	m/ft
Electrical Specifications		
Supply Voltage	12, 24, 48 nominal, allowed from 9-60	VDC
Consumption	120 mA @ 12	VDC
Warranty		
Standard Warranty	2 years (extendable to 5 years)	